

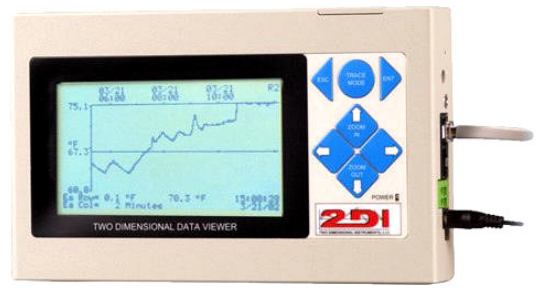
APPLICATION NOTE: 201

Electronic Hygrometer

A Hygrometer is an instrument used for measuring humidity. A recording hygrometer not only displays the temperature and humidity on a minute by minute basis, it also documents the conditions over time. Traditionally the records were made by marking a paper chart or long strip of paper with a pen. This has gradually given way to data loggers which record the data electronically. However a big drawback of data loggers is that the user has no way of knowing what was recorded until it is downloaded to a computer. The instant information aspect of the chart recorder is lost with a data logger.

This electronic Hygrometer, the ThermaViewer, using one or two temperature/RH sensors has all the advantages of the data logger and a chart recorder in one instrument. It not only shows the current temperature and humidity on its display, it also draws a chart so that the conditions over time are charted. The user can view months or even years of temperature/RH history on the display without ever having to download the data to a computer. It can be downloaded to a computer and a chart printed out, but there is no requirement that it be done.

The ThermaViewer is an ideal instrument for monitoring and documenting the temperature and humidity of incubators, laboratories, warehouses, clean rooms and computer rooms, museums, etc... It is equipped with two temperature/RH sensors ($\pm 0.2^{\circ}\text{C}$ & $\pm 2\%$), to monitor and document temp/RH in two different rooms or areas. It is accurate and automatic, providing continuous monitoring and indicating trends so that corrective action can be taken. It requires no special skills to read and interpret the data and comes equipped with a dry-contact relay to trigger an alarm or auto dialer if out-of-spec conditions occur.



ThermaViewer

Using a ThermaViewer is simple, with minimum set-up required. It needs no programming, maintenance, paper or pens to monitor and document temperature and humidity. Simply plug the ThermaViewer into a wall socket and begin collecting temperature/RH data immediately.

Installation of the ThermaViewer is a simple 5-step process:

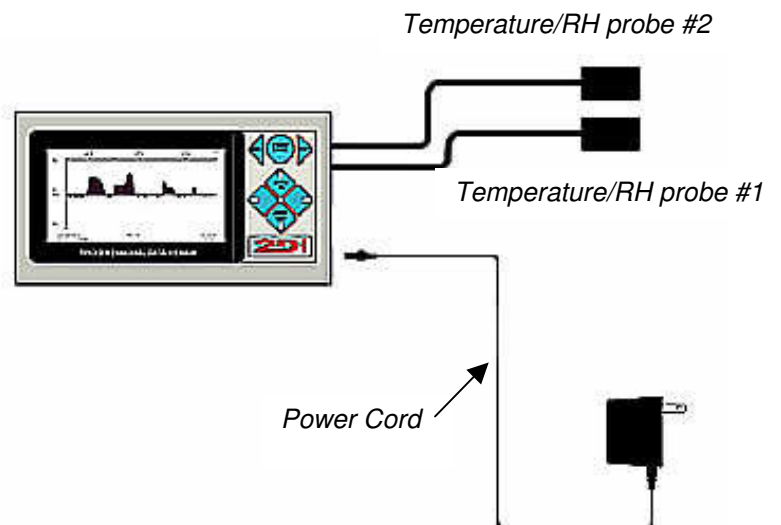
1. Position the two sensor modules in the areas to be monitored.
2. Route and plug in the two 20 foot cables (100 foot cables are available as an option).
3. Plug the power adaptor into a wall socket and into the ThermaViewer.
4. Attach the auto dialer (if purchased).
5. Set the time and monitoring frequency (see below for suggested settings).

What to Order:

- TDVDR-02 ($\pm .2^{\circ}\text{C}$) \$ 749.00
- TDVDR-02-1 (1 probe) \$ 649.00

Optional Items:

- Auto-dialer with cable \$ 169.00
- 100 foot cable \$ 50.00
- International power supply \$ 30.00





APPLICATION NOTE: 201

Installation and setup

Mount the ThermaViewer display unit in the room or office area near the area to be monitored. Position each probe in a separate space and attach the auto dialer (if purchased) to the relay connection.

The following are suggested settings. You should use the settings required by your standards.

Suggested settings:

| Room 1 Probe | | Room 2 Probe | |
|-----------------------------|-------------------------------|-----------------------------|-------------------------------|
| Sample Data every | 15 seconds | Sample Data every | 15 seconds |
| Store Data every | 10 minutes | Store Data every | 10 minutes |
| Recorded Temperature | Average | Recorded Temperature | Average |
| Temperature Scale | F° | Temperature Scale | F° |
| Maximum Display Temperature | 80° | Maximum Display Temperature | 80° |
| Minimum Display Temperature | 60° | Minimum Display Temperature | 60° |
| Reference Line | 70° | Reference Line | 70° |
| Relay Enabled ¹ | | Relay Enabled ¹ | |
| Activate Relay for | 0:10 (min:sec) | Activate Relay for | 0:10 (min:sec) |
| When Temp > | 80° for 6 stored temperatures | When Temp > | 80° for 6 stored temperatures |
| When Temp < | 60° for 4 stored temperatures | When Temp < | 60° for 4 stored temperatures |

Setting the probes to sample data every 15 seconds and store data every 10 minutes causes the ThermaViewer to take forty samples then plot and store the average of those forty readings. This causes the graph to more accurately reflect the temperature and humidity of the room. Momentary dips and rises of the air temperature and humidity, which can occur when a door is opened are not usually enough to affect the internal environment and can safely be averaged over the 10 minute period between readings.

There is a one-point temperature and RH characterization table built into the ThermaViewer that can be used to adjust the temperature and RH readings. The sensors used with the ThermaViewer should remain in calibration for years, however is they do drift; it is not necessary to send the sensors back to the factory for recalibration. On the System Parameter menu, an 'offset' value can be keyed in to adjust each temperature and RH reading. An offset up to $\pm 9.9^\circ\text{F}$ for temperature and $\pm 9.9\%$ for humidity can be entered for each temperature and RH sensor. The offset will be added or subtracted to or from the measured value of each sensor before it is stored in memory or displayed on the LCD display. (Each sensor should be compared to a calibrated instrument traceable to NIST standards, by a qualified metrologist before adjusting this value).

Downloading data:

The ThermaViewer will hold ten months of temperature/RH data for each probe *with the settings listed* above (10 minute store interval). If you want to hold more data you can lengthen the store data interval. An interval of 60 minutes will allow five years of data to be stored for each sensor.

A regular schedule for downloading data from the ThermaViewer should be established so that a back up copy of the data is maintained in your computer. You can also print out a copy of the graph with the same program that downloads data to your computer (TView).

¹ Enable the relay only if you have an alarm or the optional auto-dialer wired to the relay.